



CORPORATION

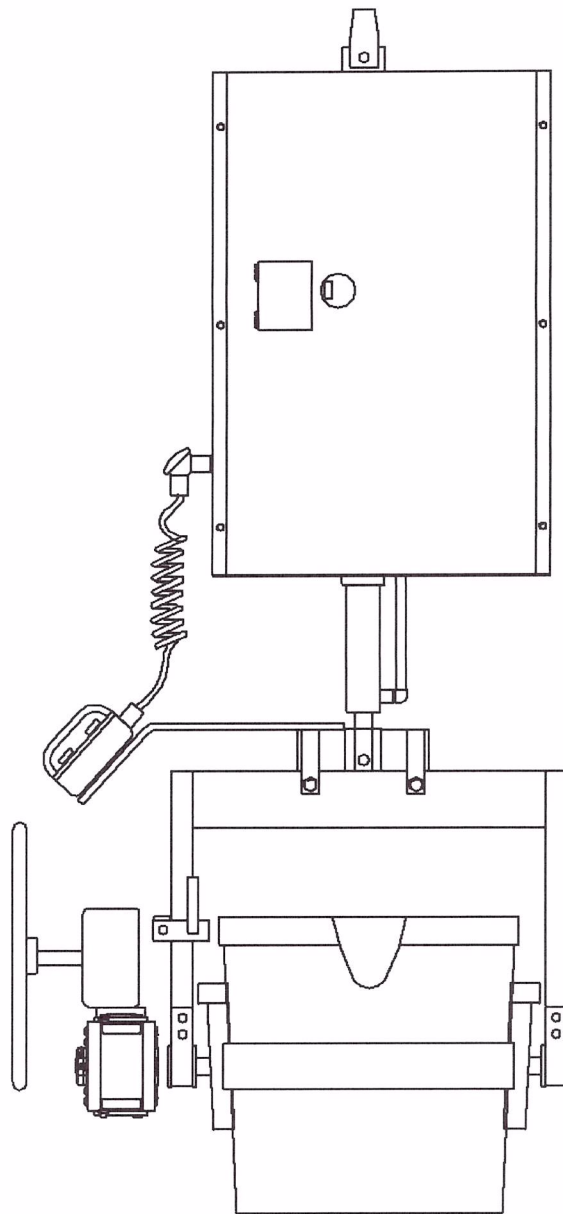
www.teemarkcorp.com

D&E FOUNDRY DIVISION

1132 Air Park Dr. Aitkin, MN 56431
218-927-2200 800-428-9900
FAX 218-927-2333
Email: teemark@aitkin.com

MODEL LD-2000-42

12 VDC SELF CONTAINED LADLE LIFT DEVICE



06/2007

The Model LD-2000-42 Lift Device is a self contained, 12 VDC powered ladle lift. The unit features a 2" bore x 42" stroke cylinder fed by a 2500 psi 12 VDC power supply and is capable of lifting a maximum 4500 lbs.

The Hydraulic system comes filled with a Fire Safe hydraulic fluid and it is important to use a compatible fluid when refilling. (see attached sheet for fluid specifications)

HYDRAULIC FLUID:
QUAKER, "QUINTOLUBRIC" 888-68

The Lift Device operates on a power up, gravity down system and has an adjustable down speed feature. The down speed control is adjustable by means of a in-line flow control valve. See parts diagram for location of the flow control.

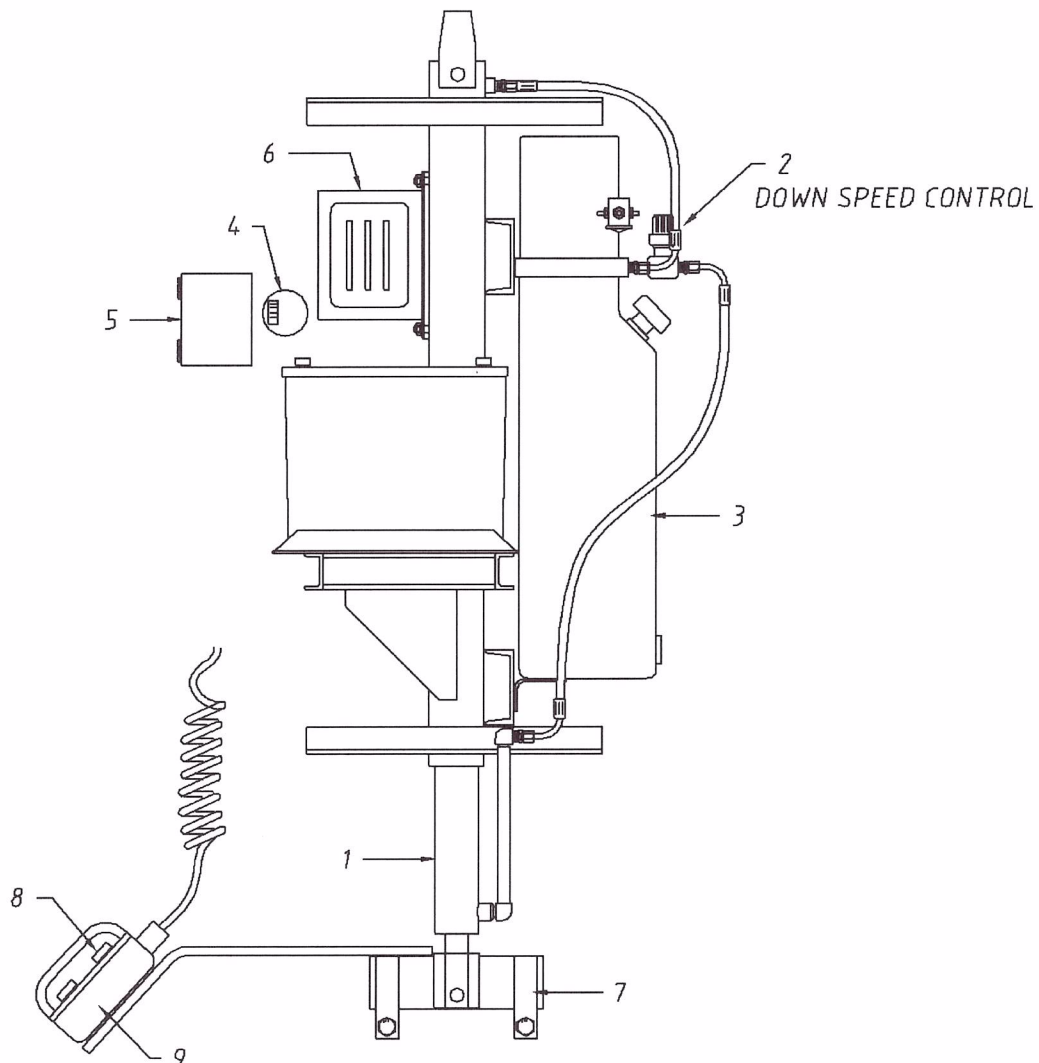
The lift will give the best performance and is designed to be powered by two heavy duty deep cycle batteries. These are not included and are to be supplied by the user and connected according to the schematic included in this manual. All other electrical and hydraulic connections have been made by the manufacturer.

The unit also features a heavy duty on board battery charger that operates on 120 VAC, with a battery condition indicator. *Please be sure to read and understand the operation of the charger and how to properly read the indicator.*

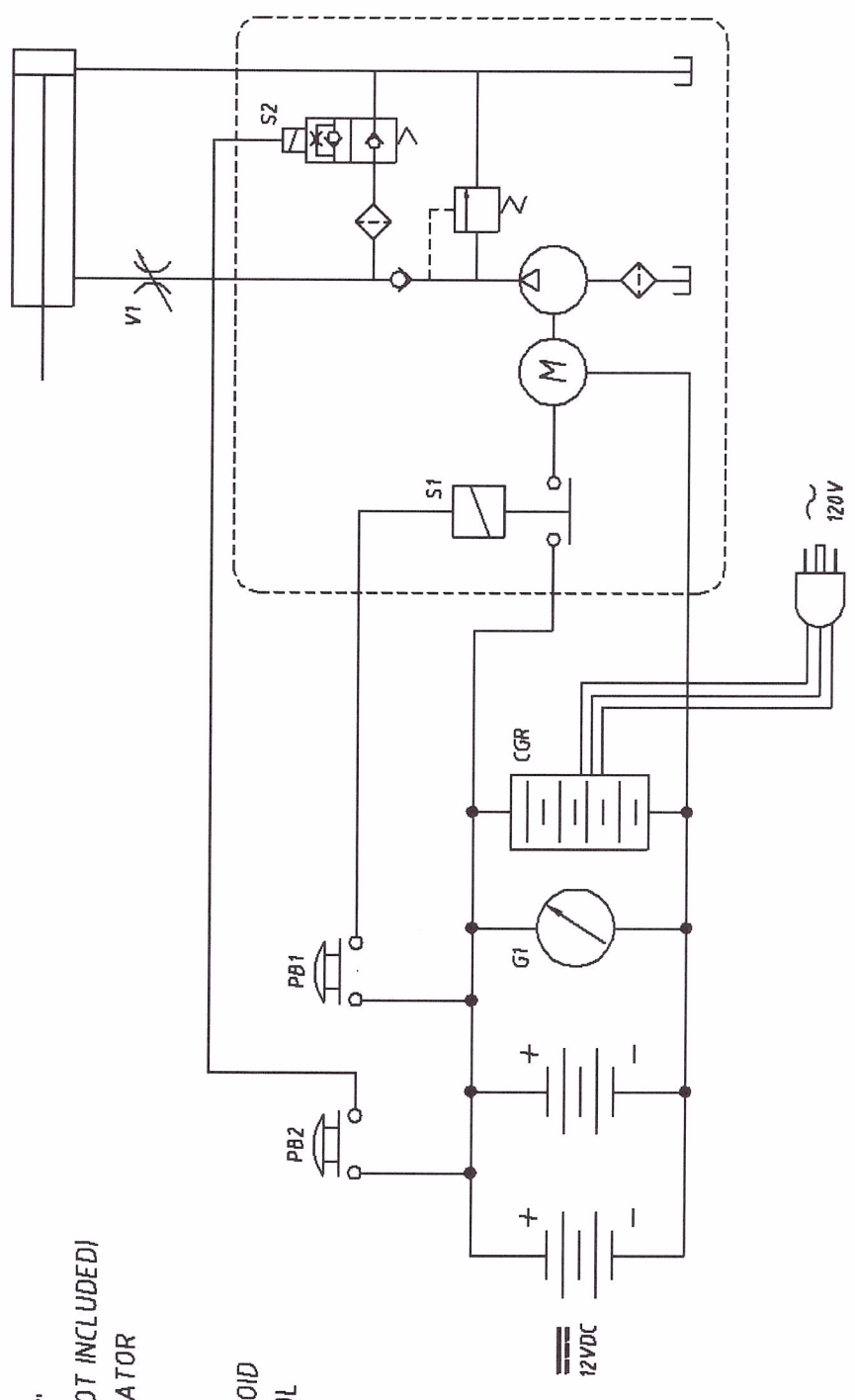
IT IS RECOMMENDED THAT THE BATTERY DISCHARGE LEVEL NEVER GO BELOW 70% AS INDICATED BY THE FLASHING LED ON THE INDICATOR.

PARTS DIAGRAM

ITEM	DESCRIPTION
1	B286-221 2" X 42" X 1 3/4" HYDRAULIC CYLINDER
2	B450-672 ADJUSTABLE FLOW CONTROL
3	B251-084 12 VDC POWER UNIT
4	900R12HG BATTERY CHARGE INDICATOR
5	BATTERY CORD ENCLOSURE
6	OBET 12/35A BATTERY CHARGER
7	L060-002 CYLINDER ROD ADAPTOR (SPEC'D BY CUSTOMER)
8	AB 800H-R2A2 PUSH BUTTON
9	75045K92 PUSH BUTTON ENCLOSURE



- PB1 PUSH BUTTON "UP"
- PB2 PUSH BUTTON "DOWN"
- B1-B2 12 VDC BATTERY (NOT INCLUDED)
- G1 BATTERY CHARGE INDICATOR
- CGR BATTERY CHARGER
- S1 MOTOR SOLENOID
- S2 RELEASE VALVE SOLENOID
- V1 CYLINDER FLOW CONTROL



ELECTRICAL / HYDRAULIC SCHEMATIC