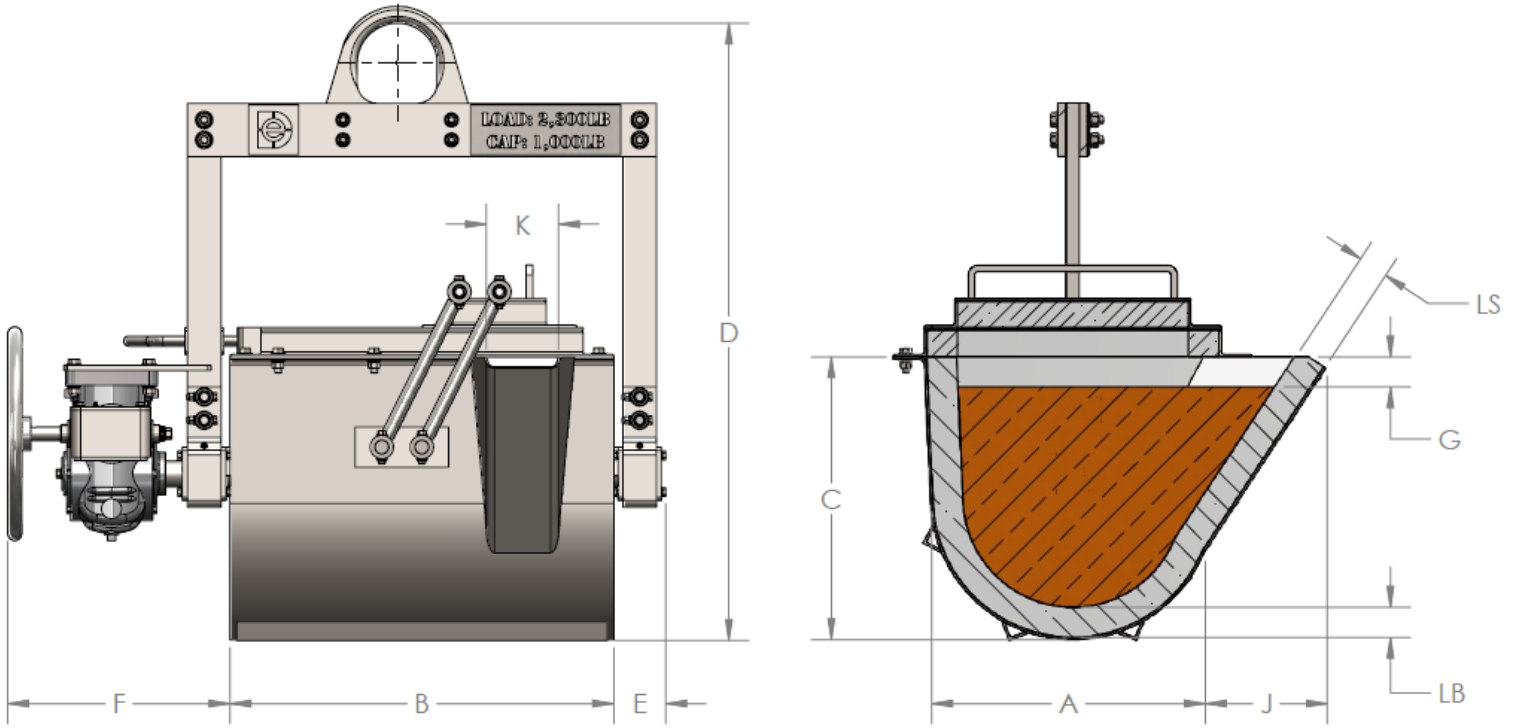


“U” SHAPED LADLES
Designed for Foundrymen



Ladle lining forms, cradles that hold ladles for pouring, and motorized gear tilting options are available for all D&E Ladles products. See catalog page 15 for a complete description of D&E Ladles innovations and accessories. V-Bails and Low Headroom Bails are available.

T6 Series											
Capacity (Iron)	A Width	B Length	C Height	D	E	F	G	LH*	J	K	LB & LS
850	21	23	21	41	6.5	21.5	3	8	8	5	3
1,275	23	26	23	44	6.5	21.5	3	8	8	5	3
1,550	24	28	24	47	6.5	21.5	3	8	9	6	3
1,560	26	30	26	48	8	23	4	8.75	9	6	4
2,100	28	32	28	51	8	23	4	8.75	10	7	4
2,625	28	38	28	51	8	23	4	8.75	10	7	4
3,280	31	40	31	60	9	25.25	4.5	8.75	10	7	4.5
3,700	34	36	34	62	9	25.25	4.5	8.75	12	9	4.5
4,525	34	42	34	62	9	25.25	4.5	8.75	12	9	4.5
6,175	37	45	37	80.25	9	25.25	4.5	8.75	12	12	4.5
8,000	41	48	41	87.75	10	27.75	5	15	14.5	12	5

*Height “D” is reduced by “LH” with Low Headroom Bail option.

Note: Capacities are in pounds. Dimensions are in inches. All specs are subject to change.